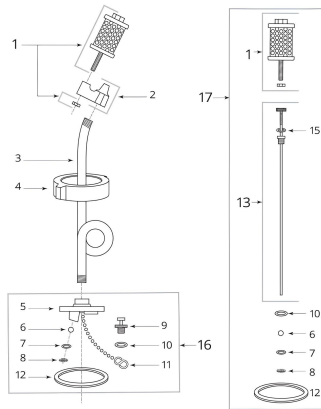


Spare parts for drip torch 5L SureSeal Drip Torch



SureSeal 5L Drip Torch spare parts: reliability and field maintenance

Spare parts for SureSeal 5L Drip Torches are essential to ensure the smooth operation and durability of your forest fire fighting and prescribed burning equipment.

Designed to meet the requirements of fire safety professionals, these parts keep your torches in perfect working order, even under intensive conditions of use.

A solution for tactical fire operations

SureSeal drip torches are widely used by :

- fire and rescue services (SDIS),
- forestry professionals,
- natural area management teams,
- prescribed and preventive burners.

Regular replacement of components guarantees :

- controlled combustion,
- optimum safety in the field,
- equipment longevity.

Wide choice of parts

Depending on your needs, you can select different spare parts for your SureSeal 5L torch:

- ignition chain,
- spout,
- cap,

- seals,
- fuel system components.

Each part is designed to integrate perfectly with the original model, ensuring compatibility and performance.

Maintenance and operational performance

A well-maintained torch is essential for :

- guarantee reliable ignition,
- prevent fuel leaks,
- ensure safe operations in sensitive environments,
- optimize performance during operations.

The use of high-quality original or compatible parts is strongly recommended to preserve the integrity of your equipment.

MMF expertise at the service of professionals

As a specialist in fire-fighting equipment, MMF supports professionals with a rigorous selection of technical parts, advice tailored to business constraints and recognized expertise in the field of forest fires.

MMF is a key player in the field of specialized equipment, notably as a reseller and technical center for well-known brands in the sector.

Product highlights

- Compatible with SureSeal 5L drip torch
- Ideal for forest fires and prescribed burning
- Robust parts for intensive use
- Optimized maintenance and safety
- Supplier of fire-fighting equipment