

## RIA Robinet Incendie Armé INOX tournant pivotant



### fire hose reel pivoting and rotating stainless steel fire protection valves - Equip your company with the best equipment

Stainless steel **swivel and rotating fire hydrants (fire hose reel )** are essential for effective fire protection in industrial, commercial and public environments. Designed for rapid, safe intervention, they enable first-response teams to act effectively in the event of a fire.

### Why choose a fire hose reel stainless steel swivel or turntable?

- **Maneuverability and flexibility:** Thanks to their pivoting structure, these fire hose reel offer great freedom of movement, making them easy to use in an emergency.
- Fast deployment:** The rotating reel enables immediate deployment, guaranteeing effective intervention from the very first seconds.
- Robust and compliant:** Manufactured to current standards (EN 671-1), our fire hose reel products are tested and approved for maximum safety.
- Adaptability:** Available in a range of pipe lengths and diameters, they can be adapted to suit all needs and infrastructures.
- **Construction:** Made from electro-polished 304 L stainless steel tube and sheet. Brass diffuser tap

### fire hose reel stainless steel models for all environments

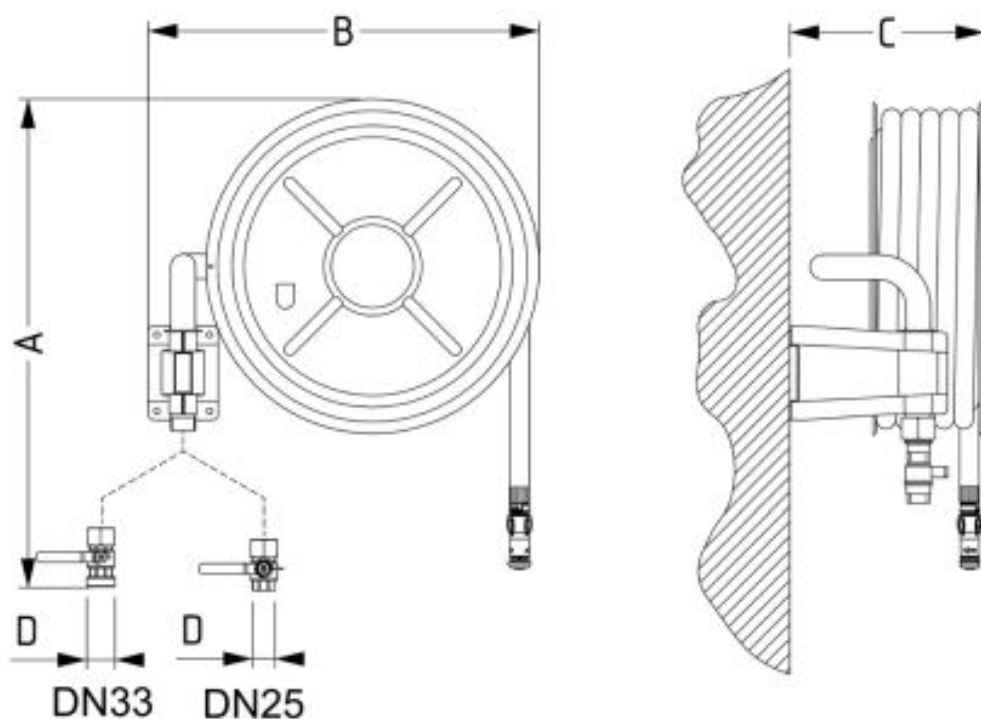
Our **fire hose reel stainless steel swiveling and rotating diffusers** are designed for installation in a variety of environments:

- .**Industries and factories:** for efficient coverage of large spaces.
- . **Establishments open to the public (ERP):** Hospitals, schools, hotels, shopping centers..
- . **Warehouses and storage areas:** For rapid response to fire hazards.
- . **Offices and commercial buildings:** Secure your workspaces with reliable, durable equipment.

### Dimensions of our different Fire hose reels

Item code	39152	33631
-----------	-------	-------

Nominal diameter	25 mm	33 mm
Pipe length	20 m	30 m
Dimensions in mm :		
Height A	640	655
Width B	650	675
Depth C	315	445
Connection D	1 "F	1"1/2 M
Effective range (metres) at 0.2 Mpa to stopcock	Straight jet 10 m / Diffused jet 3 m	
Empty weight	22 kg	38 kg
Certification N.F EN 671-1	RC/02/001	RC/02/003



## Installation and maintenance of Inox pivoting and rotating fire hose reel

fire hose reel must be installed by a professional to ensure compliance and effectiveness in the event of fire. In addition, regular maintenance is necessary to ensure proper operation and prolong its service life.

**Our services:** We can offer you a preventive and corrective maintenance service to ensure the longevity and performance of your fire equipment.

**Need a fire hose reel swivel or turntable?** Discover our complete range on our online store [mmf.fr](http://mmf.fr) and equip yourself with the best equipment for optimum safety!

# MMF

Protection et Sécurité

---